

NEW



Half-pitch (1.27mm) Interface Connector

CONNECTOR

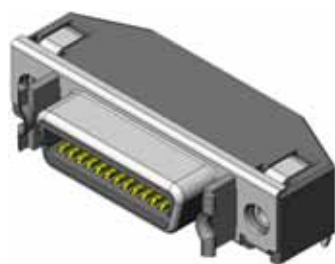
MB-0276-6

March 2017

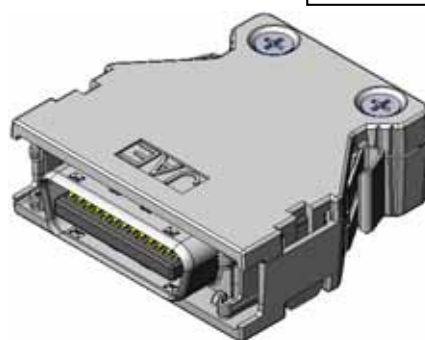
DF02 Series

RoHS Compliant

Receptacle



Plug



EMI Shielded Hood



Hood without
EMI Shielding

The DF02 Series is an interface connector compatible with half-pitch (1.27mm), which is used as a standard in the industrial instrument market.

Durable plastic hood allows the DF02 Series to be a light weight connector.

The DF02 Series is offered in two hood variations. Based on application needs a Ni plated hood for EMI shielding and an untreated hood are offered in the series line-up.

The DF02 Series comes with a one-touch locking mechanism for operational ease.

Application

DF02 Series are ideal for factory automation, semiconductor manufacturing and broadcasting equipment, as well as communication devices, measurement and other instrumentations.

Features

Receptacle:

- The receptacle is equipped with both lock spring (one-touch lock) and screw lock (screw fastening) to allow mating with either hood-type plug.
- The terminals being covered prevents short circuit causing foreign object ingress.
- The hook-pin integrated as part of the shell strengthens the PCB hold-down.

Plug:

- The resin-plastic hood allows the small form-factor plug to be light-weight and cost effective. Catering to either EMI shielding requirement or not, either a Ni plated or untreated hoods are optional.
- EMI countermeasure hood, with it's latch lock method two-unit structure, allows for excellent workability and superior reparability.
- IDC termination available (28AWG to 30AWG) allowing for labor efficiency.
- Screw fixed harnessing structure allows for operation-time saving.

General Specifications

Specification	
Rated Current	0.5A / 1pos.
Rated Voltage	AC250Vr.m.s
Contact Resistance	35m Ω max. (initial) Variance \pm 25m Ω max. (post-test)
Insulation Resistance	Individual connector 100M Ω min. (initial) 10M Ω min. (post-test)
Dielectric Withstanding Voltage	Individual connector AC500Vr.m.s (initial) AC300Vr.m.s (post-test)
Operating Temperature	-20 Deg. C to +80 Deg. C

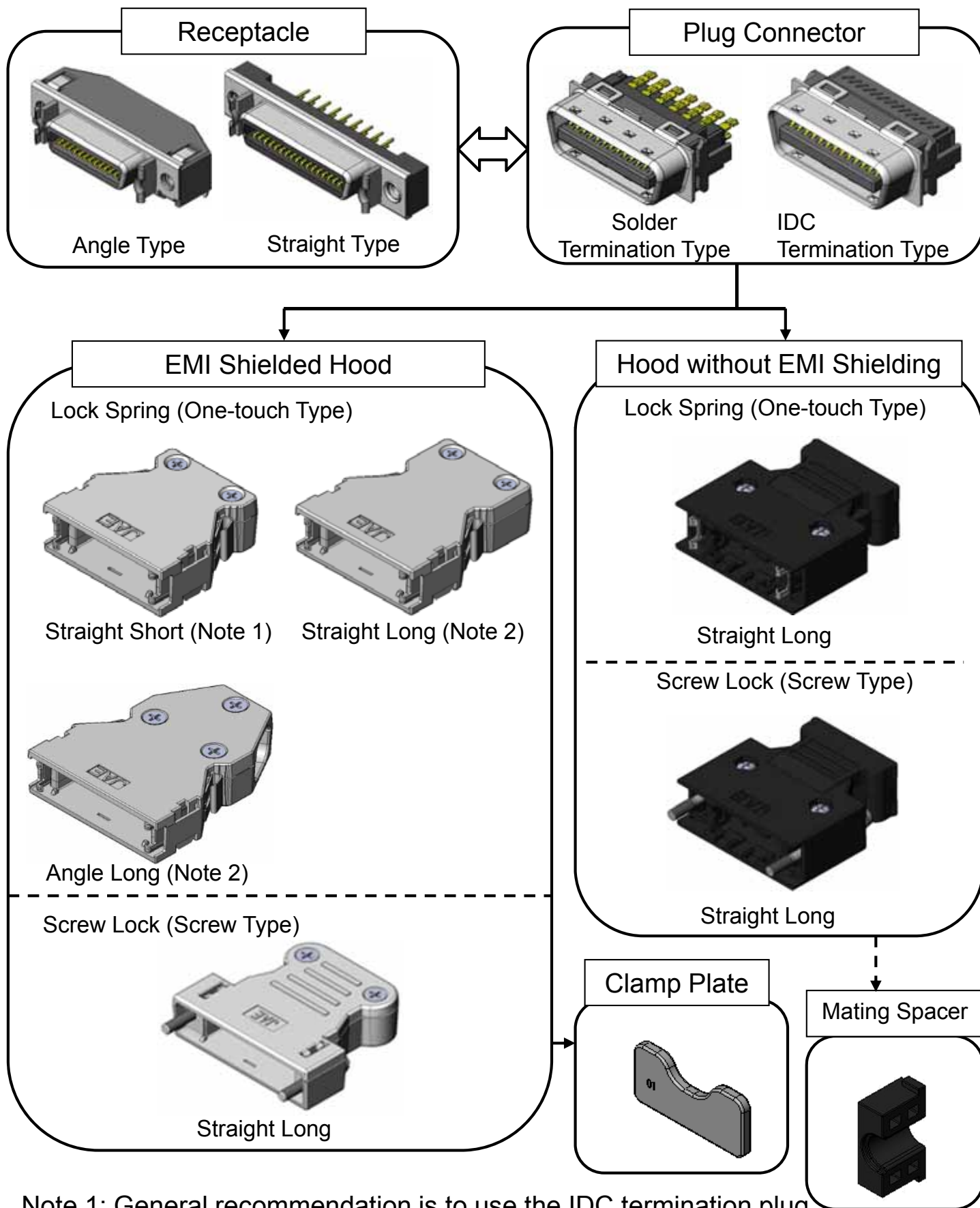
Line-up

Product Variation				14 pos.	20 pos.	26 pos.	36 pos.	50 pos.	68 pos.
Receptacle	Angle type	Reflow Mounting Type	Sn plated shell						
		Flow Mounting Type	Sn plated shell						
			Sn plated shell						
	Straight Type	Reflow Mounting Type	Sn plated shell						
Plug	Plug Connector	Solder Termination	22~30AWG						
		IDC Termination	28AWG						
			30AWG						
	EMI Shielded Hood (Ni plated)	Lock Spring	Straight Short Hood						
			Straight Long Hood						
			Straight Long Hood for Thick Wires						
			Angle Long Hood						
			Angle Long Hood for Thick Wires						
	Screw Lock	Straight Long Hood							
	Hood without EMI Shielding (untreated)	Lock Spring	Straight Long Hood						
Screw Lock		Straight Long Hood							

Materials and Finishes

Product Variation		Component	Material / Finish	
Receptacle	Angle Type	Insulator	9TNY	
		Locator	9TNY	
		Contact	Copper Alloy / Contact area: Au plating	
		Shell	Steel / Sn or Ni plating	
		Lug	Steel / Ni plating	
		Nut	Steel / Ni plating	
	Straight Type	Insulator	9TNY	
		Contact	Copper Alloy / Contact area: Au plating	
		Shell	Steel / Sn Plating	
		Lug	Steel / Ni plating	
		Nut	Brass / Ni plating	
Adsorption Tape		Polyimide		
Plug	Plug Connector	Solder Termination	Insulator	6-6NY
			Rear Insulator	9TNY
			Contact	Copper Alloy / Contact area: Au plating
		IDC Termination	Shell	Steel / Ni plating
			Insulator	6-6NY
			Cover	PBT
	EMI Shielded Hood (Ni plated)	Lock Spring (One-touch Type)	Contact	Copper Alloy / Contact area: Au plating
			Shell	Steel / Ni plating
			Hood A	ABS / Ni plating
			Hood B	ABS / Ni plating
			Lock Spring	Stainless Steel
		Screw Lock (Screw Type)	Nut	Steel / Ni plating
			Hood Fastening Screw	Steel / Ni plating
			Hood A	ABS / Ni plating
			Hood B	ABS / Ni plating
			Lock Screw	Steel / Ni plating
			Washer	Steel / Ni plating
			Nut	Steel / Ni plating
	Clamp Plate	Hood Fastening Screw	Steel / Ni plating	
	Hood without EMI Shielding (untreated)	Lock Spring (One-touch Type)	Clamp Plate	Steel / Ni plating
			Hood	PC
			Spring Cover	PC
			Lock Spring	Stainless Steel
			Clamp 1	Stainless Steel
			Clamp 2	Stainless Steel / Ni plating
			Nut	Steel / Ni plating
			Hood Fastening Screw	Steel / Ni plating
		Screw Lock (Screw Type)	Clamp Fastening Screw	Steel / Ni plating
			Hood	PC
			Lock Screw	Stainless Steel
Clamp 1			Stainless Steel	
Clamp 2			Stainless Steel / Ni plating	
Mating Spacer	Nut	Steel / Ni plating		
	Hood Fastening Screw	Steel / Ni plating		
	Clamp Fastening Screw	Steel / Ni plating		
	Spacer	PBT		

Combinations

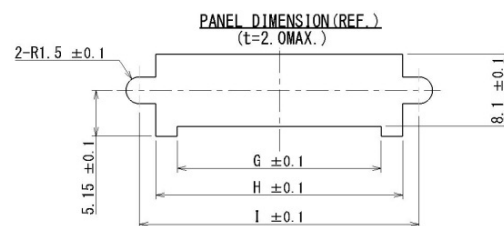
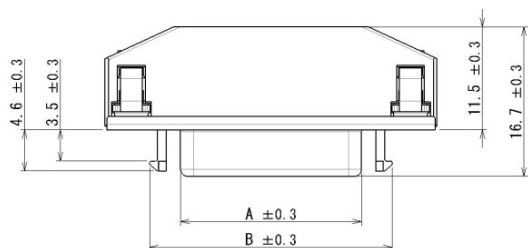
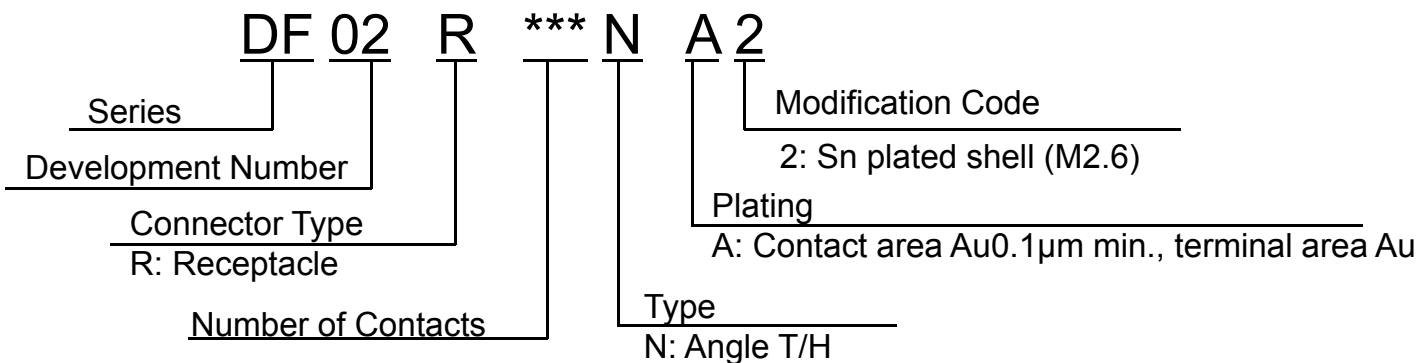


Note 1: General recommendation is to use the IDC termination plug.

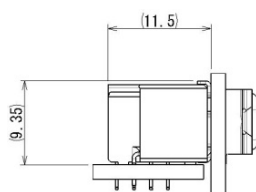
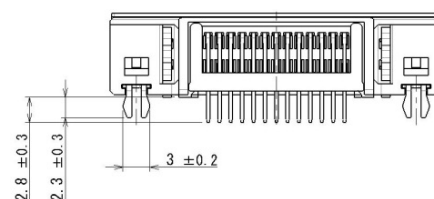
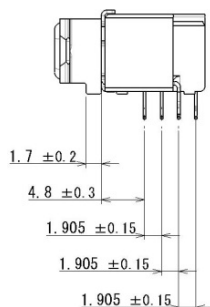
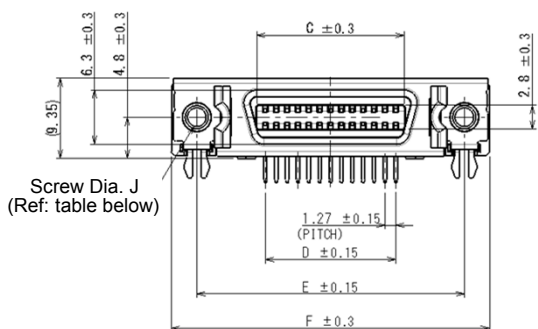
The straight short type hood cannot be selected when using solder termination plug connector.

Note 2: A hood compatible with thick-wire is also available.

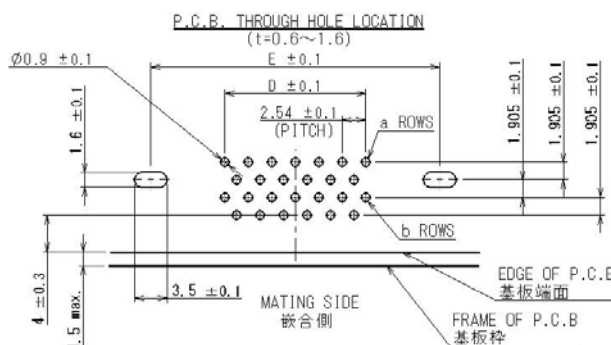
Receptacle: Angle Reflow Mounting Type



Panel Mounting Dimensions



Board Mounted Condition

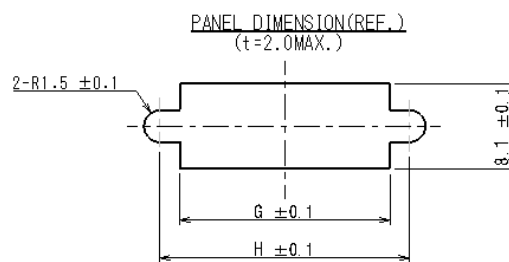
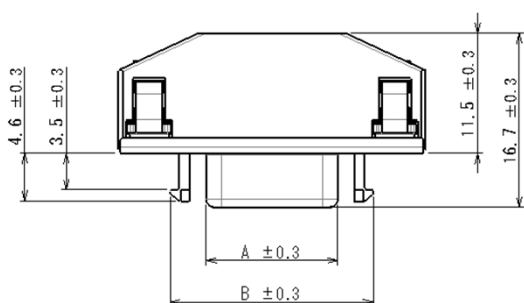
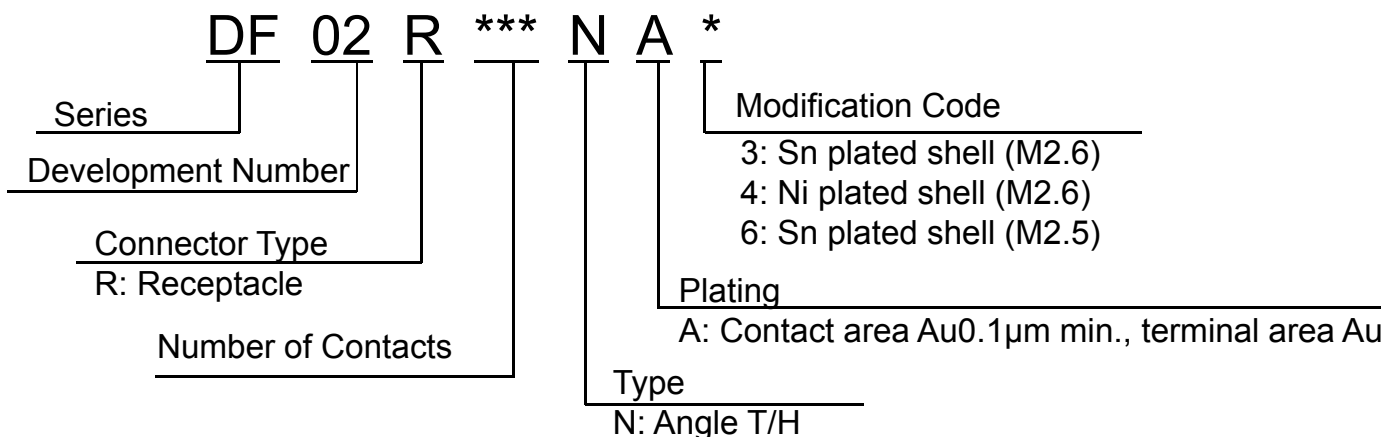


Applicable Board Dimensions

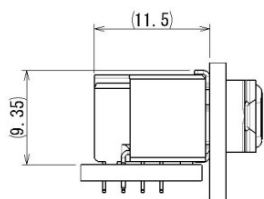
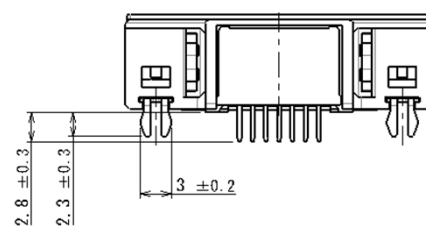
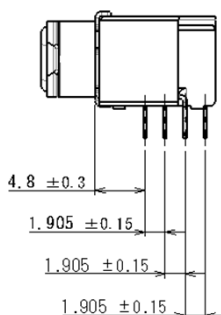
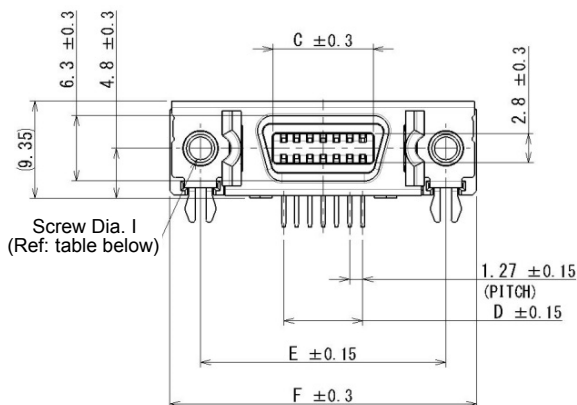
No. of Contacts	Part Number	Drawing No.	A	B	C	D	E	F	G	H	I	J
14	DF02R014NA2	Undeveloped Products (Note)	12.64	19.5	9.6	7.62	23.64	29.5	15.1	19.9	23.64	M2.6
20	DF02R020NA2	Undeveloped Products (Note)	16.45	23.4	13.4	11.43	27.45	33.4	19	23.8	27.45	M2.6
26	DF02R026NA2	SJ115437	20.26	27.2	17.2	15.24	31.26	37.2	22.8	27.6	31.26	M2.6
36	DF02R036NA2	Undeveloped Products (Note)	26.61	33.5	23.6	21.59	37.61	43.5	29.1	33.9	37.61	M2.6
50	DF02R050NA2	SJ115438	35.5	42.4	32.5	30.48	46.5	52.4	38	42.8	46.5	M2.6

Note : Please contact us concerning undeveloped products.

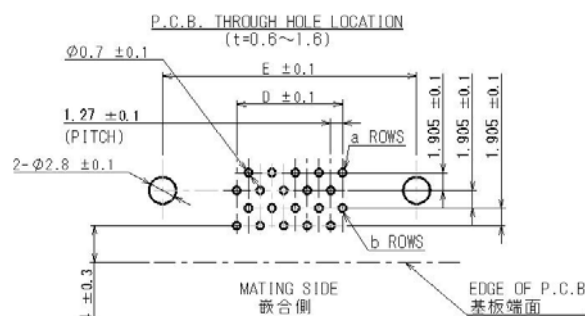
Receptacle: Angle Flow Mounting Type



Panel Mounting Dimensions



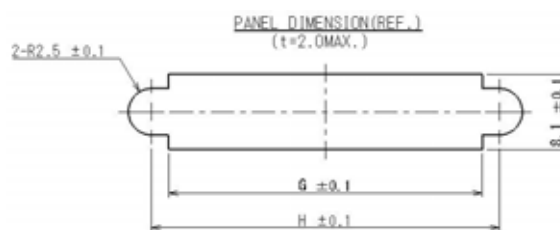
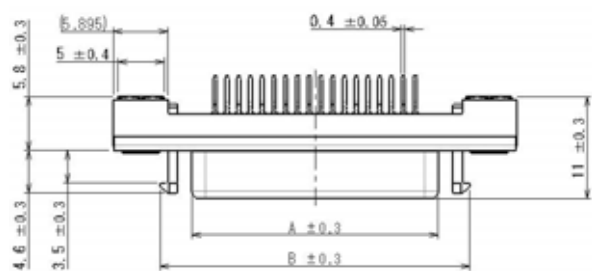
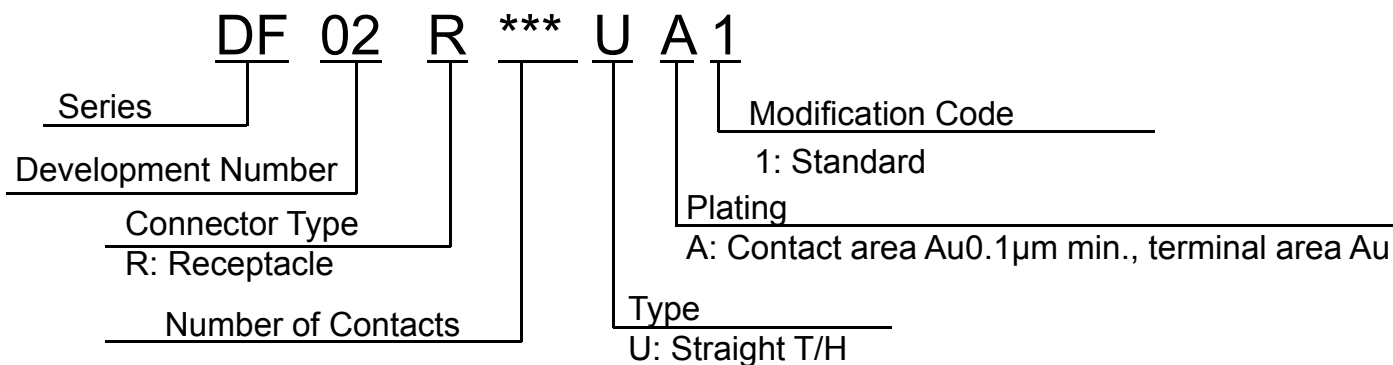
Board Mounted Condition



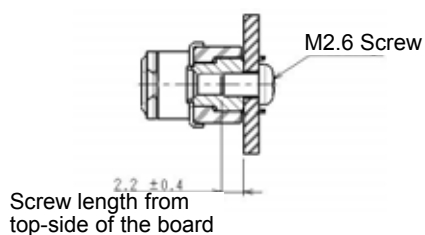
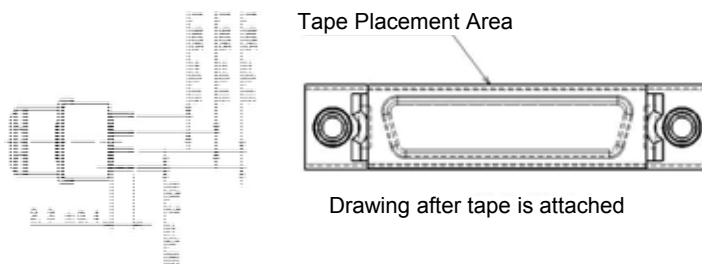
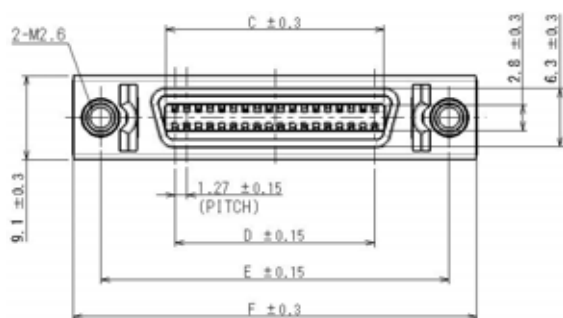
Applicable Board Dimensions

Number of Contacts	Part Number	Modification Code	Drawing Number	A	B	C	D	E	F	G	H	I
14	DF02R014NA*	3	SJ116104	12.64	19.5	9.6	7.62	23.64	29.5	19.9	23.64	M2.6
		4	SJ117255									M2.6
		6	SJ117114									M2.5
20	DF02R020NA*	3	SJ116105	16.45	23.4	13.4	11.43	27.45	33.4	23.8	27.45	M2.6
		4	SJ117256									M2.6
26	DF02R026NA*	3	SJ116111	20.26	27.2	17.2	15.24	31.26	37.2	27.6	31.26	M2.6
		4	SJ117257									M2.6
36	DF02R036NA*	3	SJ116106	26.61	33.5	23.6	21.59	37.61	43.5	33.9	37.61	M2.6
		4	SJ117258									M2.6
50	DF02R050NA*	3	SJ116112	35.5	42.4	32.5	30.48	46.5	52.4	42.8	46.5	M2.6
		4	SJ117259									M2.6

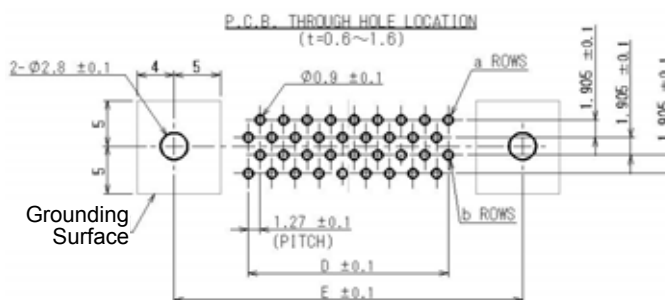
Receptacle: Straight Reflow Mounting Type



Panel Mounting Dimensions



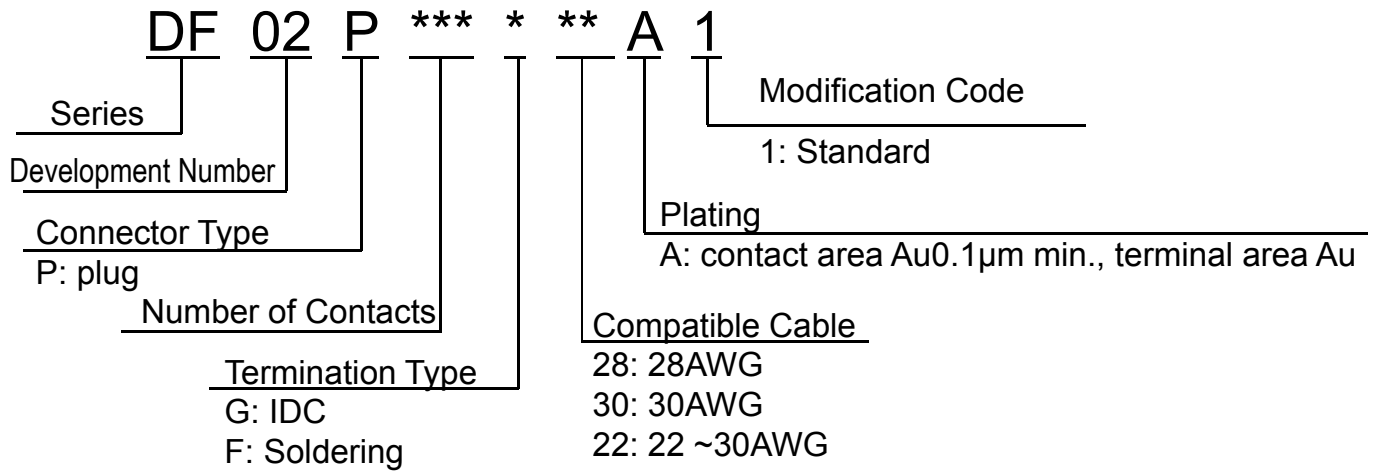
Board Mounted Condition



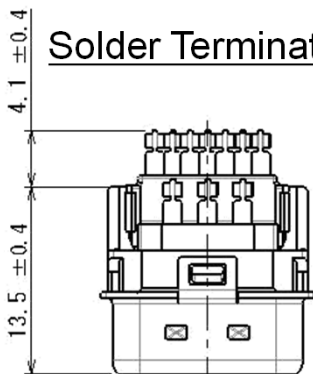
Applicable Board Dimensions

Number of Contacts	Part Number	Drawing Number	A	B	C	D	E	F	G
36	DF02R036UA1	SJ114863	26.61	33.5	23.6	21.59	37.61	43.5	33.9

Plug Connector



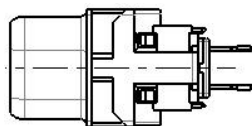
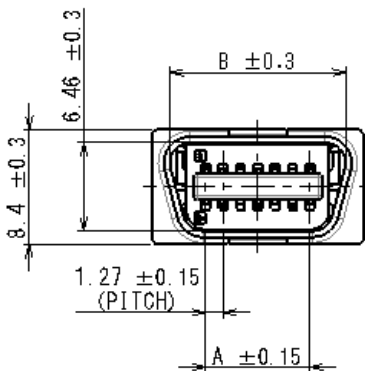
Solder Termination Type



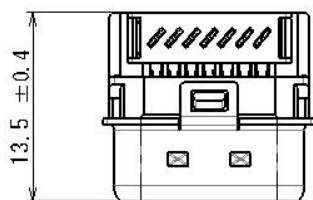
Number of Contacts	Part Number	Drawing	A	B
14	DF02P014F22A1	SJ114740	7.62	12.84
20	DF02P020F22A1	SJ114741	11.43	16.65
26	DF02P026F22A1	SJ114250	15.24	20.46
36	DF02P036F22A1	SJ114035	21.59	26.81
50	DF02P050F22A1	SJ114251	30.48	35.70

Applicable Cable

- Applicable Cable: 22~30AWG
- Applicable Outer Dia: φ1.1 max.
- Recommended Sheath: PVC



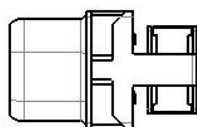
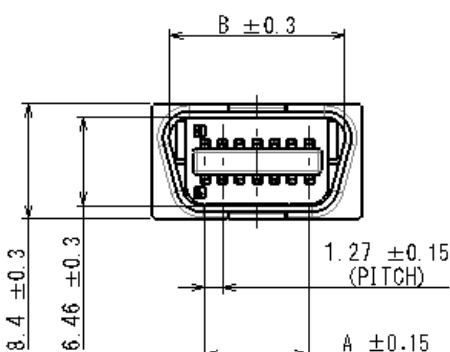
IDC Termination Type



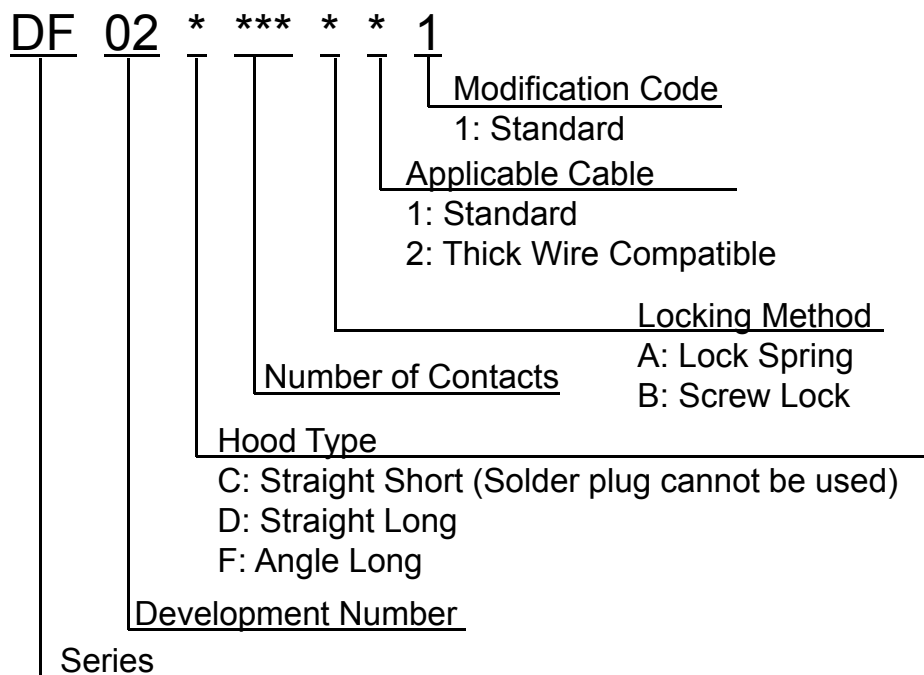
Applicable Wire	Number of Contacts	Part Number	Drawing	A	B
28AWG	14	DF02P014G28A1	SJ114156	7.62	12.84
	20	DF02P020G28A1	SJ114157	11.43	16.65
	26	DF02P026G28A1	SJ114034	15.24	20.46
	36	DF02P036G28A1	SJ114158	21.59	26.81
	50	DF02P050G28A1	SJ114159	30.48	35.70
	68	DF02P068G28A1	SJ114240	41.91	47.13
30AWG	14	DF02P014G30A1	SJ114032	7.62	12.84
	50	DF02P050G30A1	SJ114033	30.48	35.70

Applicable Cable

- 28 AWG IDC Termination Type
Applicable Outer Dia.: φ0.51~ φ0.64
- 30 AWG IDC Termination Type
Applicable Outer Dia.: φ0.51~ φ0.64
Recommended Sheath: PVC

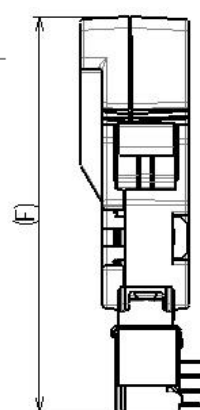
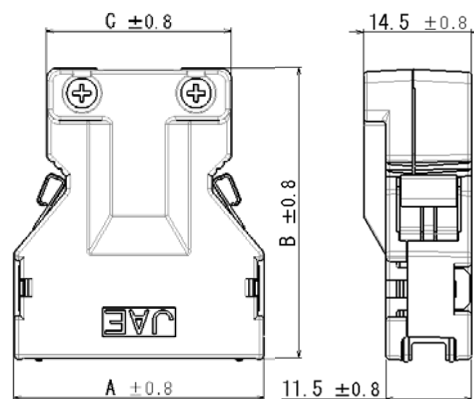
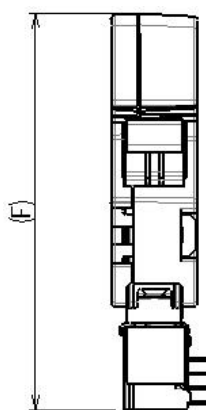
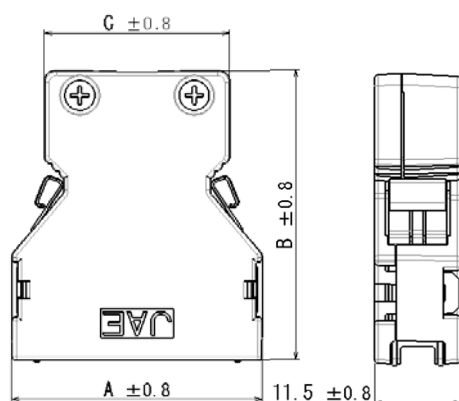
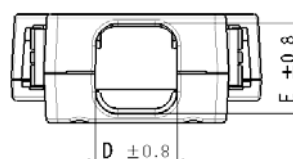
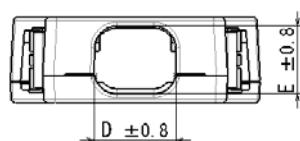


Hood: EMI Shielded Hood



Straight Short Straight Long

Straight Long / Thick Wire Compatible Type



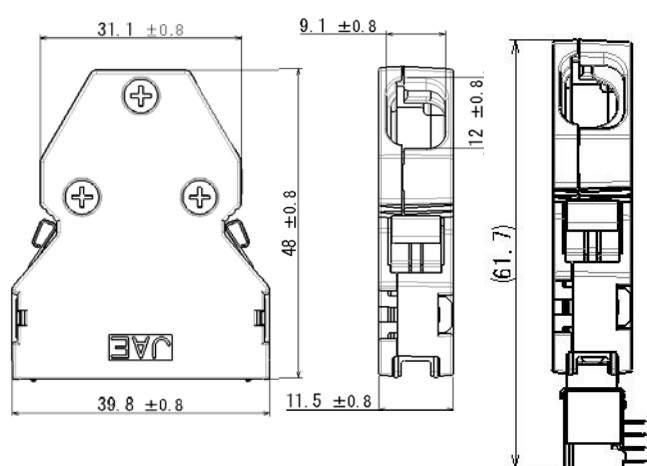
Mated Condition

Mated Condition

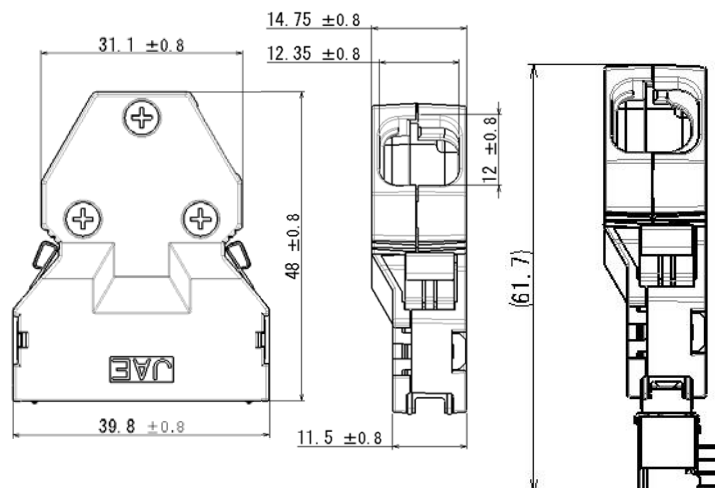
Hood Type	Number of Contacts	Part Number	Drawing Number	A	B	C	D	E	F
Straight Short	14	DF02C014A11	SJ114040	25.8	32	19.9	9.0	9.1	45.7
	26	DF02C026A11	SJ114041	33.5	32	24.8	9.5	9.1	45.7
	36	DF02C036A11	SJ114245	39.8	32	31.1	10.0	9.1	45.7
	50	DF02C050A11	SJ114042	48.7	32	40.0	11.5	9.15	45.7
	68	DF02C068A11	SJ114247	60.1	32	51.4	12.0	9.15	45.7
Straight Long	14	DF02D014A11	SJ114742	25.8	39	19.9	10.0	9.1	52.7
	20	DF02D020A11	SJ114243	29.7	39	22.0	11.0	9.1	52.7
	26	DF02D026A11	SJ114252	33.5	39	24.8	11.0	9.1	52.7
	50	DF02D050A11	SJ114254	48.7	39	40.0	11.5	9.15	52.7
Straight Long / Thick Wire Compatible Type	26	DF02D026A21	SJ114160	33.5	39	24.8	11.0	12.0	52.7
	50	DF02D050A21	SJ114162	48.7	39	40.0	11.5	12.4	52.7

Angle Long

Angle Long / Thick Wire Compatible Type

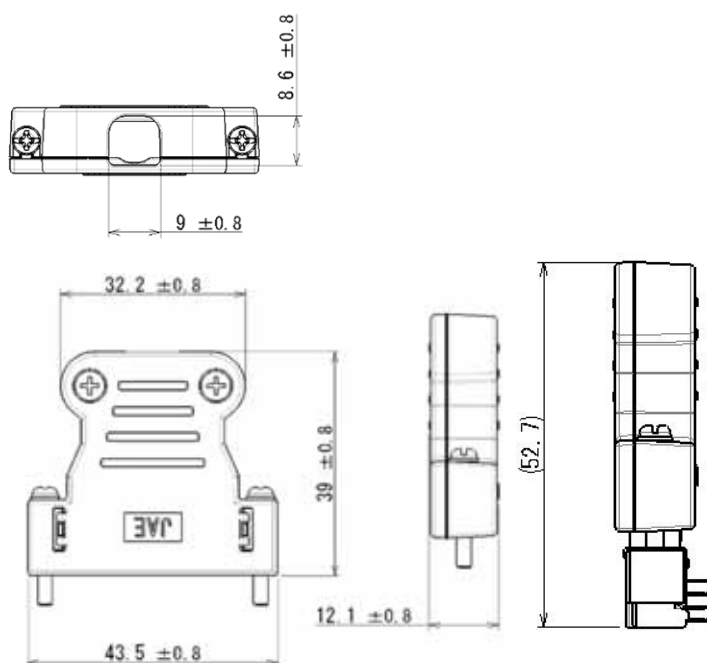


Mated Condition



Mated Condition

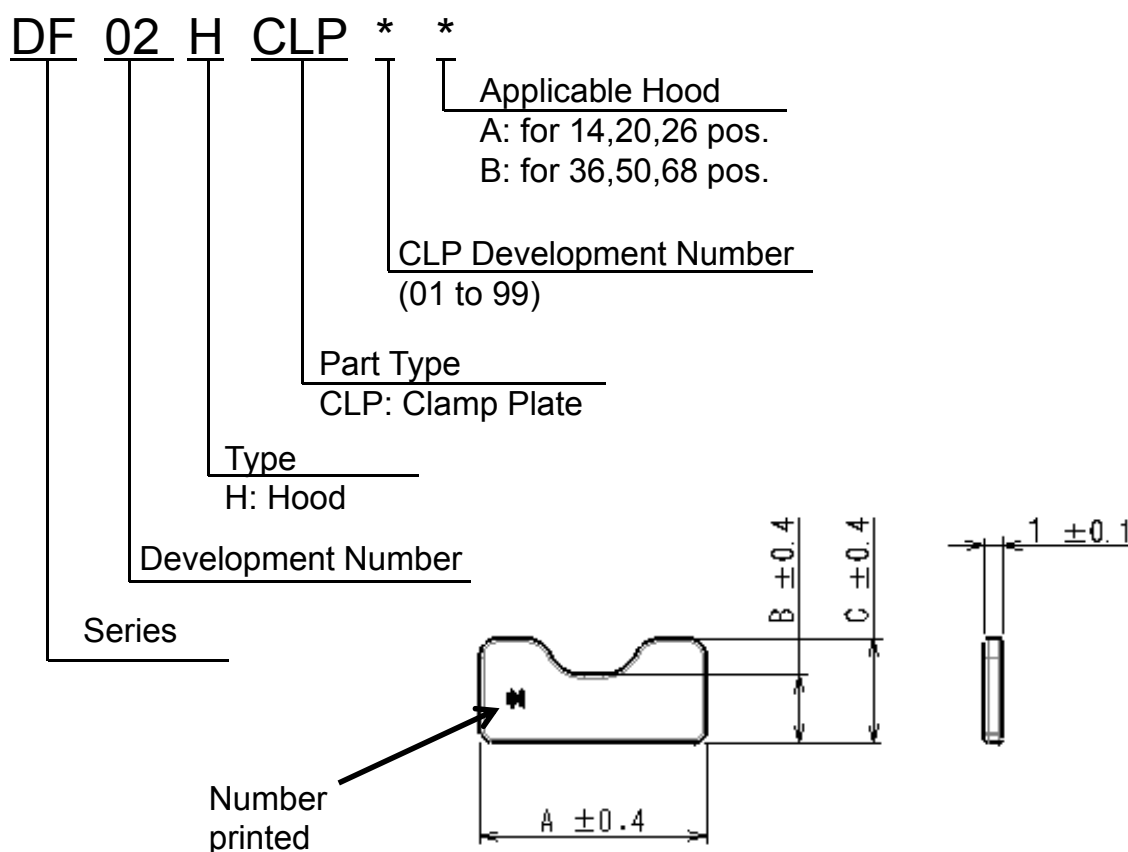
Straight Long Screw Lock



Mated Condition

Hood Type	Number of Contacts	Part Number	Drawing No.
Angle Long	36	DF02F036A11	SJ114043
Angle Long / Thick Wire Compatible Type	36	DF02F036A21	SJ114161
Straight Long Screw Lock	36	DF02D036B11	SJ115090

Clamp Plate



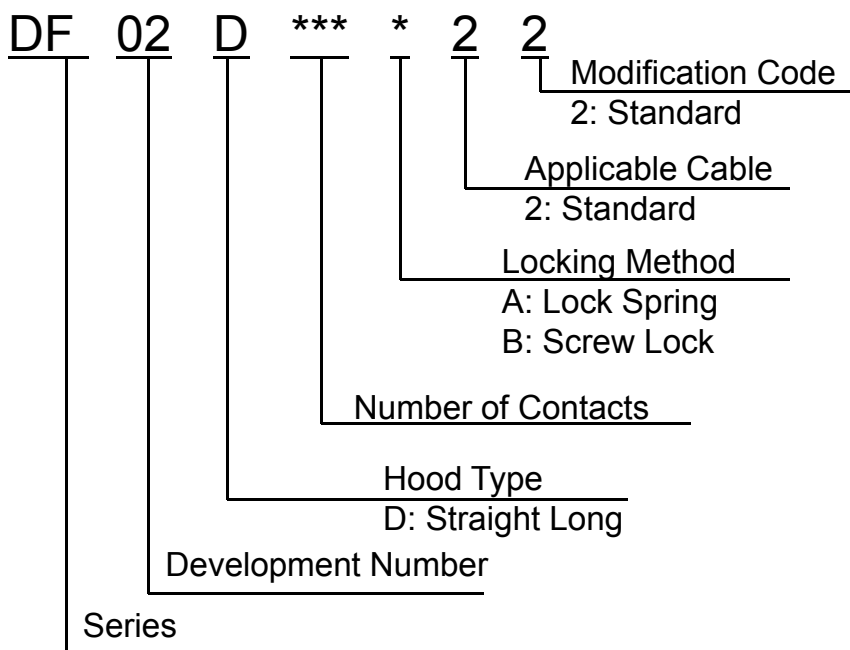
No.	Part Number	Drawing	A	B	C	Applicable Hood	
						14, 20, 26 pos.	36, 50, 68 pos.
01	DF02HCLP01A	SJ114550	12.2	3.7	5.65	Yes	No
02	DF02HCLP02A	SJ114551	12.2	4.3	5.75	Yes	No
03	DF02HCLP03B	SJ114552	14.2	1.15	4.75	No	Yes
04	DF02HCLP04B	SJ114553	14.2	5.0	6.15	No	Yes
05	DF02HCLP05A	SJ114554	12.2	4.65	5.65	Yes	No
06	DF02HCLP06B	SJ114555	14.2	3.6	5.55	No	Yes
07	DF02HCLP07B	SJ114556	14.2	3.05	5.0	No	Yes
08	DF02HCLP08B	SJ114557	14.2	2.35	4.3	No	Yes
09	DF02HCLP09B	SJ114558	14.2	1.15	3.1	No	Yes
10	DF02HCLP10A	SJ114669	12.2	3.45	5.4	Yes	No
11	DF02HCLP11A	SJ114739	12.2	2.0	3.95	Yes	No
12	DF02HCLP12B	SJ115091	14.2	4.0	5.95	No	Yes

Yes: Applicable
No: Not applicable

Applicable Cable

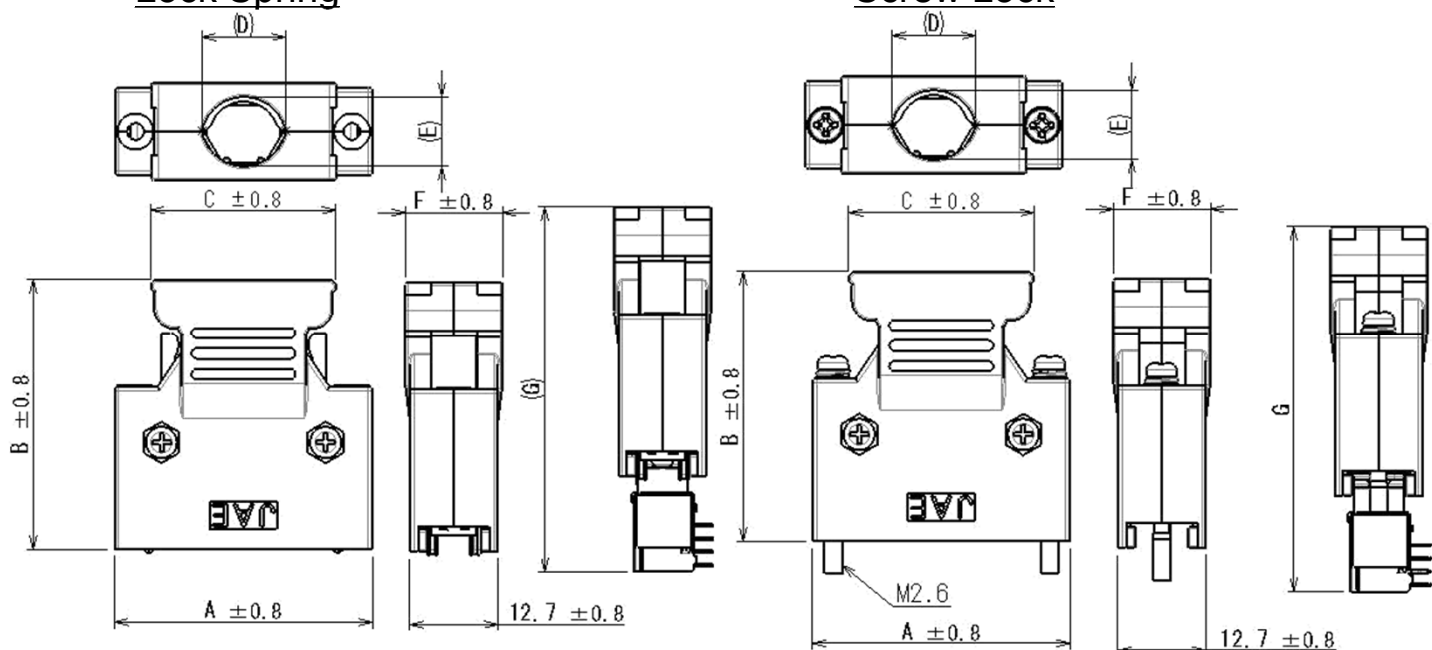
Please refer to handling instruction, JAHL-30303, when selecting a clamp plate for applicable cable.

Hood without EMI Shielding



Lock Spring

Screw Lock

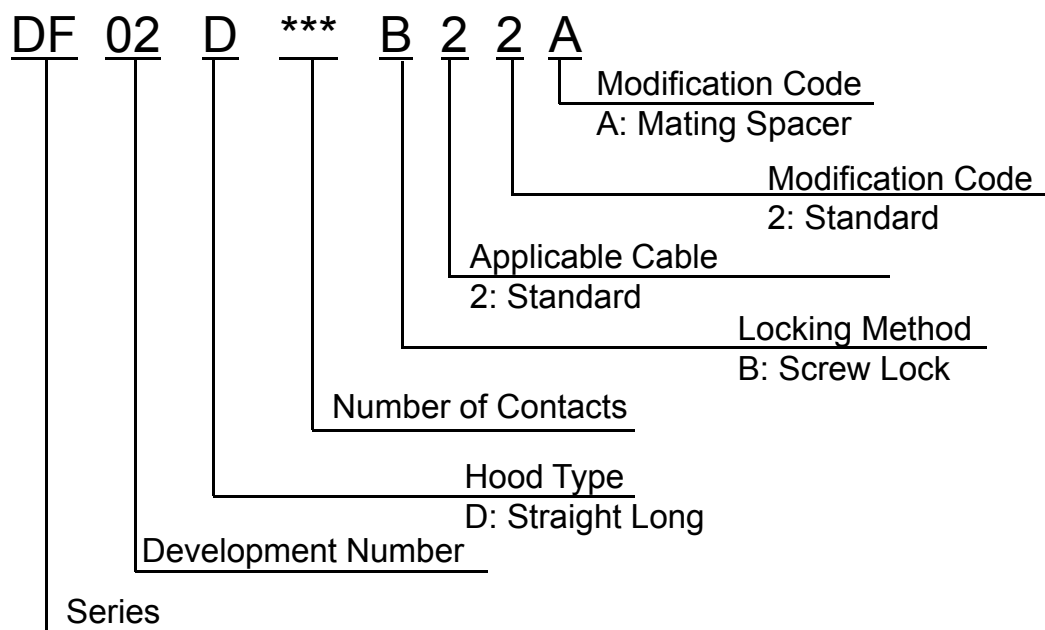


Mated Condition

Mated Condition

Lock Type	Number of Contacts	Product Number	Drawing Number	A	B	C	D	E	F	G
Lock Spring	14	DF02D014A22	SJ116882	29.5	39	19.1	8.5	7	12.7	52.7
	20	DF02D020A22	SJ116883	33.3	39	22.9	12.1	10	14	52.7
	26	DF02D026A22	SJ116884	37.2	39	26.7	12.1	10	14	52.7
	36	DF02D036A22	SJ116885	43.5	39	33.1	14.0	16.7	18	52.7
	50	DF02D050A22	SJ116886	52.4	39	42.0	16.7	14	18	52.7
Screw Lock	14	DF02D014B22	SJ116753	29.5	39	19.1	8.5	7	12.7	52.7
	20	DF02D020B22	SJ116755	33.3	39	22.9	12.1	10	14	52.7
	26	DF02D026B22	SJ116757	37.2	39	26.7	12.1	10	14	52.7
	36	DF02D036B22	SJ116759	43.5	39	33.1	14.0	16.7	18	52.7
	50	DF02D050B22	SJ116761	52.4	39	42.0	16.7	14	18	52.7

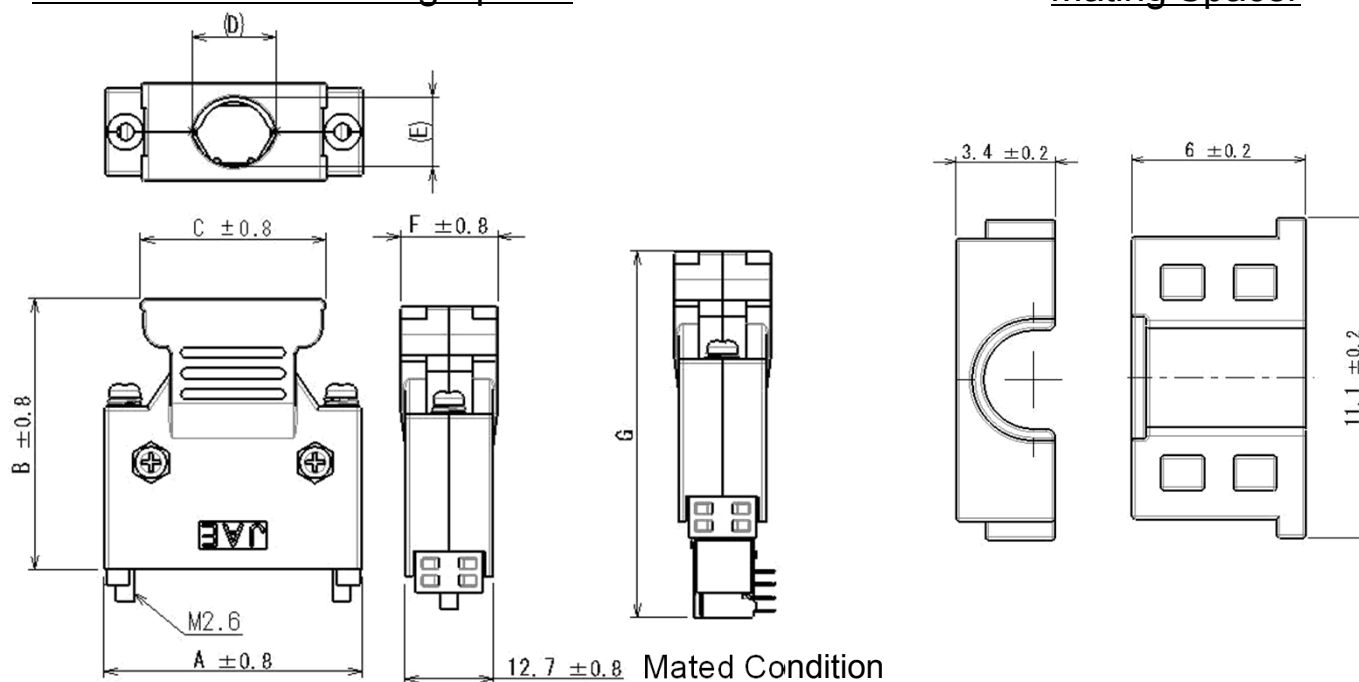
Hood without EMI Shielding (with Mating Spacer)



Mating Spacer (Sold separately) DF02P-SPCR

Screw Lock with Mating Spacer

Mating Spacer



Locking Method	Number of Contacts	Product Number	Drawing Number	A	B	C	D	E	F	G
Screw Lock with Mating Spacer	14	DF02D014B22A	SJ116754	29.5	39	19.1	8.5	7	12.7	52.8
	20	DF02D020B22A	SJ116756	33.3	39	22.9	12.1	10	14	52.8
	26	DF02D026B22A	SJ116758	37.2	39	26.7	12.1	10	14	52.8
	36	DF02D036B22A	SJ116760	43.5	39	33.1	14.0	16.7	18	52.8
	50	DF02D050B22A	SJ116762	52.4	39	42.0	16.7	14	18	52.8
Mating Spacer	-	DF02P-SPCR	SJ116782							

Plug Combinations and Part Numbers

Termination	Number of Contacts	Applicable Cable	Plug	Hood				Clamp Plate	Cable Bundle Outer Dia. (For reference)		
Solder Termination Type	14	AWG 22~30	DF02P014F22A1	EMI Shielded Hood	Lock Spring	Straight Long	DF02D014A11	DF02HCLP05A	φ6.5~7.0		
								DF02HCLP02A	φ7.0~7.5		
								DF02HCLP01A	φ7.5~8.0		
								DF02HCLP10A	φ8.5~9.0		
				Hood without EMI Shielding	Lock Spring	Straight Long	DF02D014A22	---	φ7.0~8.0		
										Screw Lock	Straight Long
	20	AWG 22~30	DF02P020F22A1	EMI Shielded Hood	Lock Spring	Straight Long	DF02D020A11	DF02HCLP05A	φ6.5~7.0		
								DF02HCLP02A	φ7.0~7.5		
								DF02HCLP01A	φ7.5~8.0		
								DF02HCLP10A	φ8.5~9.0		
				Hood without EMI Shielding	Lock Spring	Straight Long	DF02D020A22	---	φ11.0~12.0		
										Screw Lock	Straight Long
	26	AWG 22~30	DF02P026F22A1	EMI Shielded Hood	Lock Spring	Straight Long	DF02D026A11	DF02HCLP05A	φ6.5~7.0		
								DF02HCLP02A	φ7.0~7.5		
								DF02HCLP01A	φ7.5~8.0		
								DF02HCLP10A	φ8.5~9.0		
				Hood without EMI Shielding	Lock Spring	Straight Long	DF02D026A22	---	φ11.0~12.0		
										Screw Lock	Straight Long
	36	AWG 22~30	DF02P036F22A1	EMI Shielded Hood	Lock Spring	Angle Long	DF02F036A11	DF02HCLP04B	φ6.0~6.5		
								DF02HCLP12B	φ7.5~8.0		
								DF02HCLP06B	φ8.5~9.0		
								DF02HCLP07B	φ9.0~9.5		
						Angle Long Thick Wire	DF02F036A21	Please contact us.			
								Screw Lock	Straight Long	DF02D036B11	DF02HCLP04B
DF02HCLP12B				φ7.0~7.5							
DF02HCLP06B				φ7.5~8.0							
Hood without EMI Shielding				Lock Spring	Straight Long	DF02D036A22	---	φ15.0~16.0			
									Screw Lock	Straight Long	DF02D036B22*
50				AWG 22~30	DF02P050F22A1	EMI Shielded Hood	Lock Spring	Straight Long			
									DF02HCLP12B	φ7.5~8.0	
	DF02HCLP06B	φ8.0~8.5									
	DF02HCLP07B	φ9.0~9.5									
	Straight Long Thick Cable	DF02D050A21	Please contact us.								
			Hood without EMI Shielding			Lock Spring	Straight Long	DF02D050A22	---	φ15.0~16.0	
Screw Lock	Straight Long	DF02D05022*									

Plug Combinations and Part Numbers

Termination	Number of Contacts	Applicable Cable	Plug	Hood			Clamp Plate	Cable Bundle Outer Dia. (For reference)				
IDC Termination Type	14	AWG 28	DF02P014G28A1	EMI Shielded Hood	Lock Spring	Straight Short	DF02C014A11	DF02HCLP05A	φ6.5~7.0			
							DF02HCLP02A	φ7.0~7.5				
						Straight Long	DF02D014A11	DF02HCLP01A	φ7.5~8.0			
							DF02HCLP05A	φ6.5~7.0				
		AWG 30	DF02P014G30A1	Hood without EMI Shielding	Lock Spring	Screw Lock	Straight Long	DF02D014A22	---	φ7.0~8.0		
								DF02D014B22*				
					Straight Long	DF02D020A11	Lock Spring	Straight Long	DF02HCLP05A	φ6.5~7.0		
									DF02HCLP02A	φ7.0~7.5		
	20	AWG 28	DF02P020G28A1	EMI Shielded Hood	Lock Spring	Straight Long	DF02D020A11	DF02HCLP01A	φ7.5~8.0			
								DF02HCLP10A	φ8.5~9.0			
						Hood without EMI Shielding	Lock Spring	Screw Lock	Straight Long	DF02D020A22	---	φ11.0~12.0
	26	AWG 28	DF02P026G28A1	EMI Shielded Hood	Lock Spring	Straight Short	DF02C026A11	DF02HCLP05A	φ6.5~7.0			
								DF02HCLP02A	φ7.0~7.5			
								DF02HCLP01A	φ7.5~8.0			
								DF02HCLP05A	φ6.5~7.0			
						Straight Long	DF02D026A11	Lock Spring	Straight Long	DF02HCLP02A	φ7.0~7.5	
										DF02HCLP01A	φ7.5~8.0	
										DF02HCLP10A	φ8.5~9.0	
										DF02D026A21	Please contact us.	
	Hood without EMI Shielding	Lock Spring	Screw Lock	Straight Long	DF02D026A22	---	φ11.0~12.0					
								DF02D026B22*				
	36	AWG 28	DF02P036G28A1	EMI Shielded Hood	Lock Spring	Straight Short	DF02C036A11	DF02HCLP04B	φ6.0~6.5			
								DF02HCLP12B	φ7.5~8.0			
								DF02HCLP06B	φ8.0~8.5			
						Angle Long	DF02F036A11	DF02HCLP04B	φ6.0~6.5			
								DF02HCLP12B	φ7.5~8.0			
								DF02HCLP06B	φ8.5~9.0			
					Angle Long Thick Wire	DF02F036A21	Please contact us.					
							DF02HCLP07B	φ9.0~9.5				
					DF02HCLP08B	φ10.0~10.5						
					Screw Lock	Straight Long	DF02D036B11	DF02HCLP04B	φ5.5~6.0			
								DF02HCLP12B	φ7.0~7.5			
					DF02HCLP06B	φ7.5~8.0						
	Hood without EMI Shielding	Lock Spring	Screw Lock	Straight Long	DF02D036A22	---	φ15.0~16.0					
								DF02D036B22*				
	50	AWG 28	DF02P050G28A1	EMI Shielded Hood	Lock Spring	Straight Short	DF02C050A11	DF02HCLP04B	φ6.0~6.5			
								DF02HCLP12B	φ7.5~8.0			
								DF02HCLP06B	φ8.0~8.5			
						Straight Long	DF02D050A11	DF02HCLP07B	φ9.0~9.5			
								DF02HCLP08B	φ10.0~10.5			
								DF02HCLP04B	φ6.0~6.5			
		Straight Long	DF02D050A11	DF02HCLP12B	φ7.5~8.0							
				DF02HCLP06B	φ8.0~8.5							
		Straight Long Thick Wire	DF02D050A21	Please contact us.								
				DF02HCLP07B	φ9.0~9.5							
		DF02HCLP08B	φ10.0~10.5									
		Hood without EMI Shielding	Lock Spring	Screw Lock	Straight Long	DF02D050A22	---	φ15.0~16.0				
DF02D050Z2*												
68	AWG 28	DF02P068G28A1	EMI Shielded Hood	Lock Spring	Straight Short	DF02C068A11	DF02HCLP04B	φ6.0~6.5				
							DF02HCLP12B	φ7.5~8.0				
							DF02HCLP06B	φ8.0~8.5				
							DF02HCLP07B	φ9.0~9.5				
							DF02HCLP08B	φ10.0~10.5				

IDC Tool

Table-top, Manual IDC Tool: Standard type

Applicable Wire		No. of Contacts	Process			
			Wiring, Cuting, IDC			
AWG	Outer Dia.		Hand-press Tool Part No. / Handling Instruction	Applicator Tool Part No. / Handling Instruction	Attachment	
				Tool Part No.	Handling Instruction	
28	φ0.58	14	CP110-3 /T 707039	MT 250-TX20A-2B /T 704064	AT 214-DF02-1	T 704064-01
		20			AT 220-DF02-1	
		26			AT 226-DF02-1	
		36			AT 236-DF02-1	
		50			AT 250-DF02-1	
		68			AT 268-DF02-1	
30	φ0.51	14			AT 214-DF02-2	
		50			AT 250-DF02-2	

Table-top, Manual IDC Tool: Simplified type

Applicable Wire		No. of Contacts	Process			
			Wiring	Cuting	IDC	
AWG	Outer Dia.		Tool Part No. / Handling Instruction	Tool Part No. / Handling Instruction	Hand-press Tool Part No. / Handling Instruction	Attachment Tool Part No. / Handling Instruction
28	φ0.51 ~ φ0.64	14	AR-DF02-1 /T 759106	CC-DF02-1 /T 751069	CP110-3 /T 707039	MT-DF02-1 /T 704197
		20				
		26				
		36				
		50				
		68				
30		14				
		50				

Note) There are two types of table-top manual IDC tools, standard and simplified type. Simplified type is applicable for wide range of outer cable diameters (φ0.51~φ0.64) and the attachments are common to all pin counts.

Please contact our Product Marketing Division for further information.

Technical Documents

	Technical Document
Specification	JACS-30303
Handling Instruction	JAHL-30303

Notice:

1. The values specified in this brochure are only for reference. The products and their specifications are subject to change without notice. Contact our sales staff for further information before considering or ordering any of our products. For purchase, a product specification must be agreed upon.

2. Users are requested to provide protection circuits and redundancy circuits to ensure safety of the equipment, and sufficiently review the suitability of JAE's products to the equipment.

3. The products presented in this brochure are designed for the uses recommended below.

We strongly suggest you contact our sales staff when considering use of any of the products in any other way than the recommended applications or for a specific use that requires an extremely high reliability.

(1) Applications that require consultation:

(i) Please contact us if you are considering use involving a quality assurance program that you specify or that is peculiar to the industry, such as:

Automotive electrical components, train control, telecommunications devices (mainline), traffic light control, electric power, combustion control, fire prevention or security systems, disaster prevention equipment, etc.

(ii) We may separately give you our support with a quality assurance program that you specify, when you think of a use such as :

Aviation or space equipment, submarine repeaters, nuclear power control systems, medical equipment for life support, etc.

(2) Recommended applications include:

Computers, office appliances, telecommunications devices (terminals, mobile units), measuring equipment, audiovisual equipment, home electric appliances, factory automation equipment, etc.

Japan Aviation Electronics Industry, Limited

* The specifications in this brochure are subject to change without notice. Please contact JAE for information.